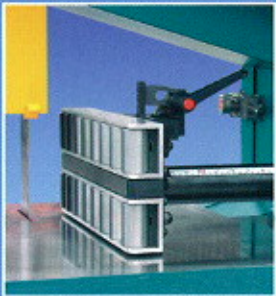


STENNER

NEW

ST80 Radial Arm Resaw



COMPACT DESIGN -
REAL PERFORMANCE



ST80 Radial Arm Resaw

The ST80 is the latest addition to Stenner's famous range of radial arm resaws, designed to produce a machine of classical strength and durability which would be equally at home in a small joinery shop or a busy service mill.

Cast iron saw pulley wheels

This all new resaw continues the Stenner tradition of constructing a compact, well engineered machine and combining it with the latest in technology in a package that has both reliability and a very high performance capability.

The ST80 is a true resaw but requires no special installation. The machine needs only to be bolted to the factory floor and connected to mains electricity, compressed air and dust extraction.

Capable of handling sections of over 500mm width and a maximum depth of cut of 310 mm, the ST80 has pneumatic saw straining which, coupled with factory set replaceable pressure saw guides, ensure accuracy of cut and minimise blade deviation. These features are combined with a 11kw (15hp) main motor and a feed system controlled by electronic variable speed device offering an operating range from 5 to 60 metres/min.

The multi-roller fence tilts to 35 degrees for angle cutting and offers 305 mm (12 in) saw to fence capacity at 90 degrees.

The ST80 is operated by means of an HMI controller which governs the feed speed, set up and diagnostics, thereby increasing reliability of electrical controls and simplifying machine operation.



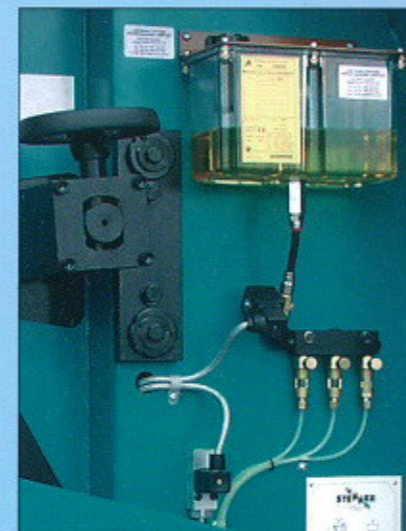
Pressure saw guides ensure accuracy

Cast iron table

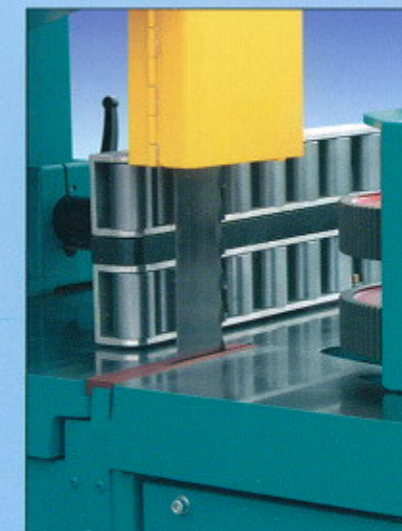
Pneumatic cylinder for saw straining



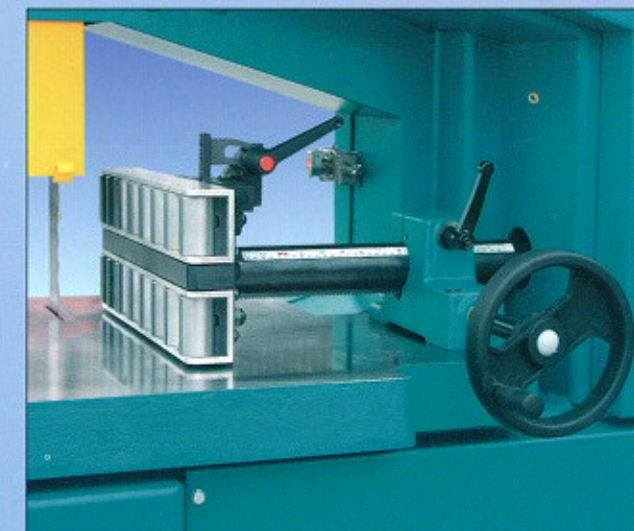
HMI Control Unit



Automatic blade lubrication



Multi roller fence



Large saw to fence capacity





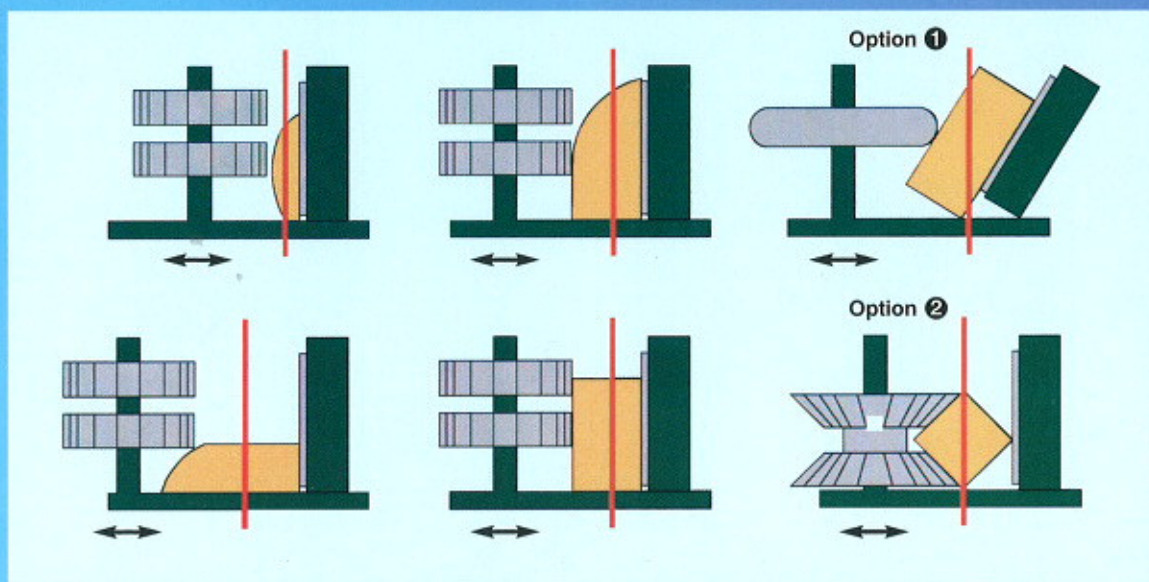
ST80 Specifications



Pulley diameter	850mm (33.5 in)
Bandsaw thickness	Max 1.0mm (19g) Min 0.8mm (21g)
Bandsaw blade width	80mm (3.25 in)
Bandsaw blade length	Max 5080mm Min 5010mm
Depth of cut	310mm (12.25 in)
Max opening saw to fence	305mm (12 in)
Max opening saw to feed rollers	230mm (9 in)
Feeds speeds (infinitely variable)	5 – 60 metres/min
Main motor	11kw (15hp)
Height of table from floor	900mm
Cleaner fluid capacity	3 litres (0.66 gallon)
Pneumatic requirements	0.2 litres/sec (0.42 cfm) @ 6 bar
Dust extraction outlet	150mm
Machine length	1725mm
Machine width	840mm
Machine height	2115mm
Machine weight	1500kgs

- Options: ① Rubber covered feed roller
② Arris rail feed roller

The company has a policy of continuous product development and improvement, specifications are therefore subject to change without notice. The company accepts no liability for discrepancies in specifications or illustrations contained in its publications.



Sales and marketing by Main Distributor:

DALTONS

WOODWORKING MACHINES WORLDWIDE

A L Dalton Limited

Crossgate Drive, Queens Drive Industrial Estate,
Nottingham, NG2 1LW. United Kingdom.
Tel: 0115 9865201 Fax: 0115 9862820
e-mail: sales@daltonswmw.co.uk
Website: www.daltonswmw.co.uk



Manufactured in the UK by Stenner Ltd
Blundells Road, Tiverton, Devon